



The Alpha is designed specifically to measure and display pressure, indicate room status, and give visual and audible feedback. A simple and cost-effective solution providing repeatable and reliable verification of pressure. The Alpha installs in minutes, utilizing a round LED touchscreen for ease of setup and configuration.

FEATURES

- Single-room pressure indication
- Maintenance-free pressure monitoring
- Analog output pressure signal to BMS
- Ability to remote alarm via a relay
- Straightforward installation and easy configuration via touch screen display
- Configurable audible alarm with a time delay up to 30 seconds and timeout of 5 minutes
- LED light bar viewable from 90 degree angle from either side

CHARACTERISTICS

Mounting Requirements	Single gang electrical box minimum depth of 3.5"
Enclosure	White fire-retardant plastic UL94 V-0
Pressure Ports	3/16" fitting
Display	Color: RGB 65,535 Resolution: 240 x 240 Backlight: LED Touch: Capacitive
Alarm Delay	0 to 30 seconds

ENVIRONMENTAL LIMITATIONS

Operating Temperature	32 to 120 °F (0 to 50 °C)
Storage Temperature	-20 to 160 °F (-30 to 70 °C)
Operating Humidity	5 to 95 % RH non-condensing

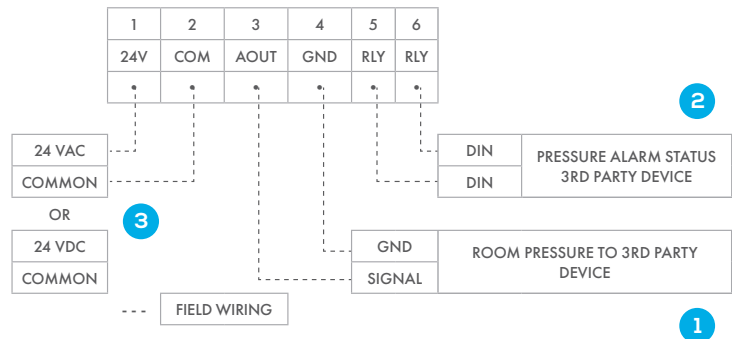
ELECTRICAL

Power	24 VAC (±10 %) 24 VDC (18-32 VDC) 50-60 Hz
Power Draw	5 W max, 3 W typical
Analog Output (Pressure Signal)	0-5 VDC or 0-10 VDC
Wire	Stranded unshielded twisted pair, 18-24 AWG

PERFORMANCE

Accuracy	<±0.002 inWC (<1.0% of Span) Terminal Point Method: includes non-linearity, hysteresis, non-repeatability, zero offset and span setting errors
Stability	Features no cumulative drift
Range	±0. inWC, ±24.91 Pa
Resolution	±0.0001 inWC, ±0.01 Pa

WIRING GUIDELINES



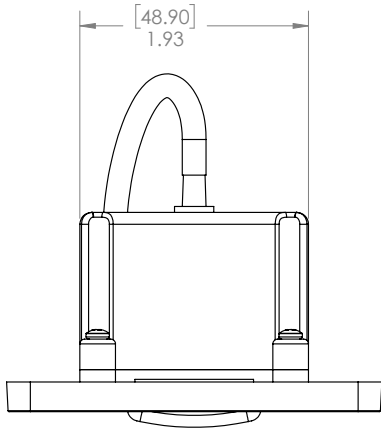
- 1 Room pressure signal (AOUT) → Voltage: 0-5 VDC or 0-10 VDC
- 2 Pressure alarm status (RELAY) → Closed: In alarm / Open: Not in alarm
- 3 24 VAC or 24 VDC power input

Additional information: Refer to installation guide for more installation details.

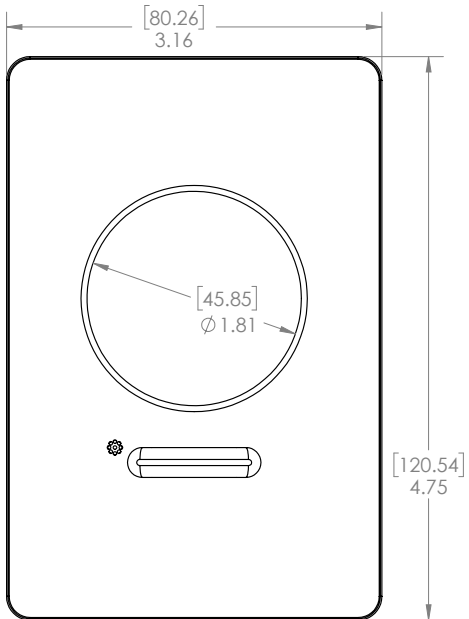
ALPHA

Dimensions

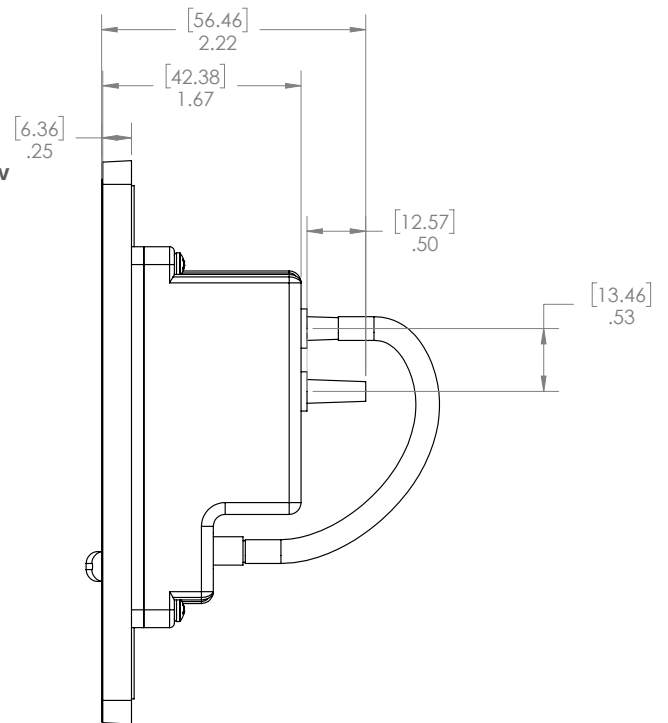
Top View



Front View



Side View



Additional information: Refer to installation guide for more installation details.

Key

[BRACKETS] = MILLIMETERS (mm)

NO BRACKETS = INCHES (in)