

AIRFLOW WING

CHARACTERISTICS

Material of Construction	Probes	Anodized Aluminum Airfoil
	Mounting Hardware	Stainless Steel
	Transmitter	ABS Plastic
Probe Length	6 in to 120 in	
Pneumatic Tubing	¼ in O.D.	
Install & Mounting	Insertion Mount	
	Internal Mount	
	Standoff Mount	
	Remote Sensor	

ENVIRONMENTAL LIMITATIONS

Operating Temperature	Transmitter	0 to 140 °F (-18 to 60 °C)
	Probes	-30 to 200 °F (-34 to 93 °C)
Storage Temperature	Transmitter	-22 to 158 °F (-30 to 70 °C)
Operating Humidity	Transmitter	10 to 90 % RH non-condensing

ELECTRICAL

Transmitter - Input Voltage	22 to 26 VAC; 50/60 Hz
Transmitter - Power Draw	18 VA

PERFORMANCE

Operating Velocity	50 to 2500 FPM
Commissioning	5 field adjustable offsets
Measurement Accuracy	2%

WIRING GUIDELINES

FLOW FEEDBACK	OUT / WHITE	0.5-4.5 VDC 0-0.5 inWC	<table border="1"> <tr> <td>Wire Connection</td> <td>3 Conductor Stranded</td> </tr> <tr> <td>Min Wire Gauge</td> <td>22 AWG (0.6 mm)</td> </tr> <tr> <td>Max Length</td> <td>200 ft (61 m)</td> </tr> <tr> <td>Preferred Color</td> <td>Red/Black/White</td> </tr> </table>	Wire Connection	3 Conductor Stranded	Min Wire Gauge	22 AWG (0.6 mm)	Max Length	200 ft (61 m)	Preferred Color	Red/Black/White
Wire Connection	3 Conductor Stranded										
Min Wire Gauge	22 AWG (0.6 mm)										
Max Length	200 ft (61 m)										
Preferred Color	Red/Black/White										
GROUND	GND / BLACK	GND									
POWER	5V / RED	5 VDC									

⚠ The tubing for the HI port and LO port connections should be as short as possible, equal length and diameter, equal temperature and path.



Insertion Mount

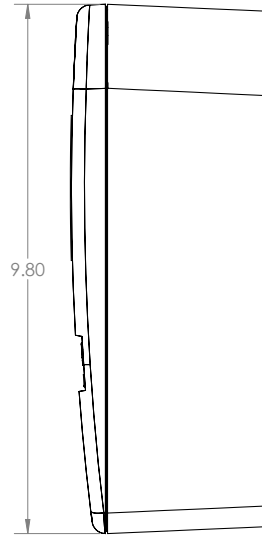
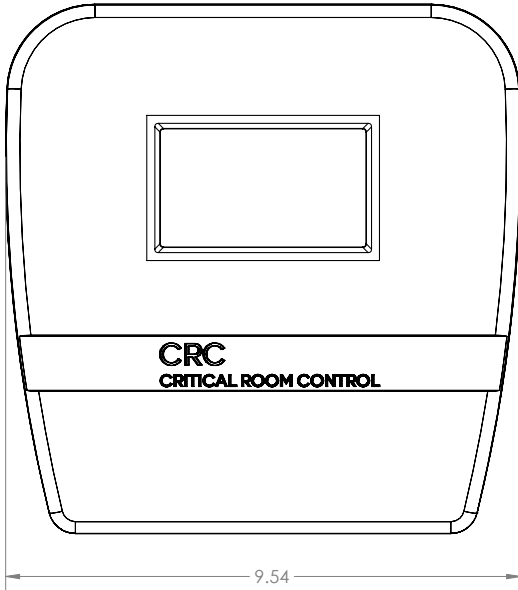


Internal/Standoff Mount

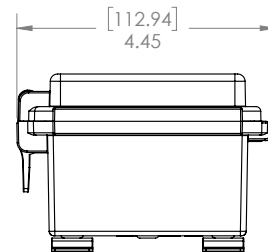
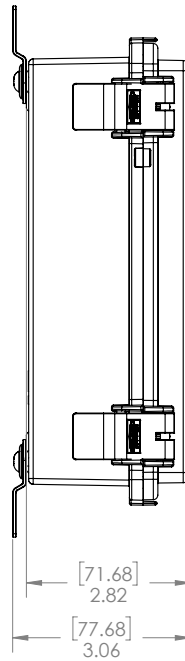
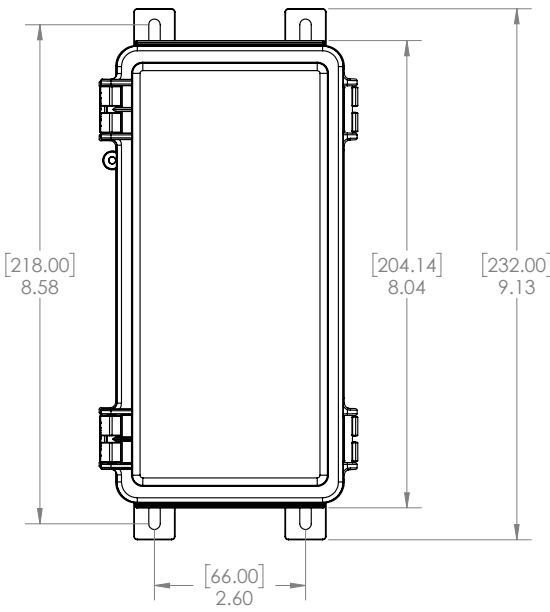
AIRFLOW WING

Dimensions

Transmitter



Remote Sensor (Optional)



Key

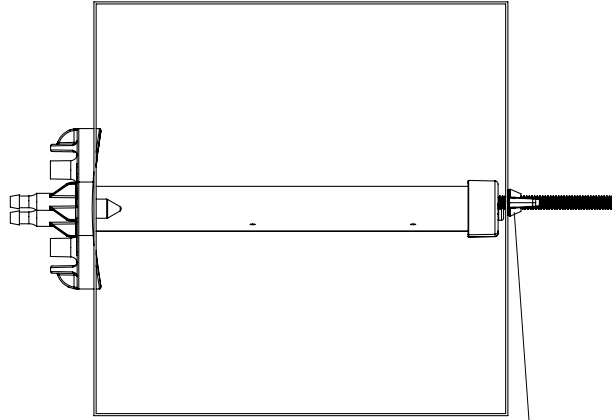
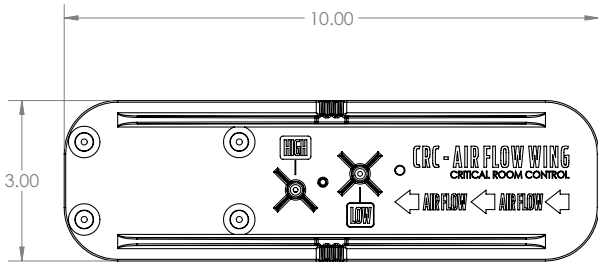
[BRACKETS] = MILLIMETERS (mm)

NO BRACKETS = INCHES (in)

AIRFLOW WING

Dimensions

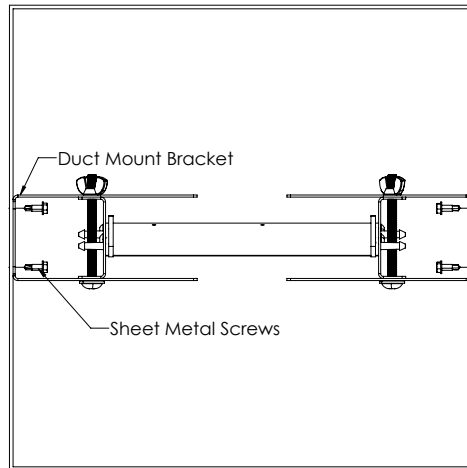
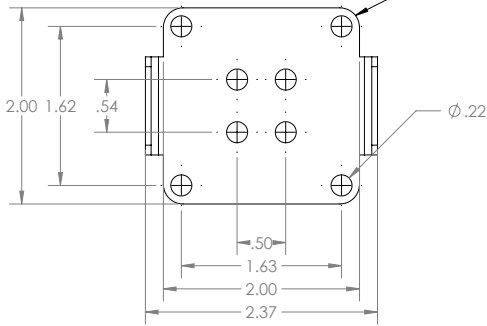
Insertion Mount



Wingnut secures other end of probe to the duct

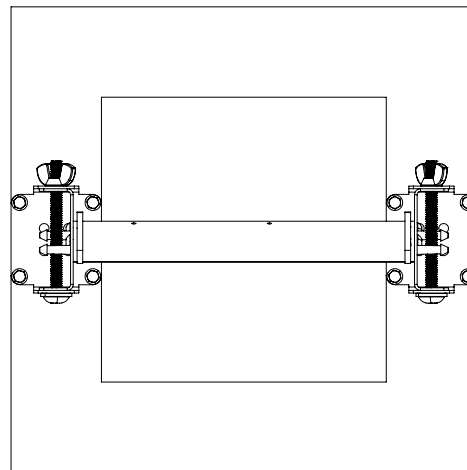
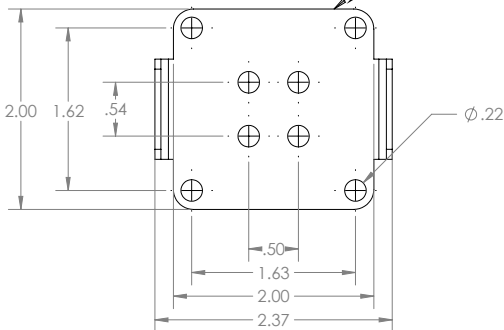
Internal Mount

1:1 Scale Duct Mounting Bracket



Standoff Mount

1:1 Scale Mounting Bracket



Key

[BRACKETS] = MILLIMETERS (mm)

NO BRACKETS = INCHES (in)