

# DUCT SENSOR (TEMPERATURE)

□ DTO-06-0B1



## CHARACTERISTICS

<b>Material of Construction</b>	PC, Orange / NBR70, Black
<b>Probe Material</b>	AISI 316L
<b>Degree of Protection IEC/EN</b>	IP65
<b>Degree of Protection NEMA/UL</b>	NEMA 4X
<b>Enclosure</b>	UL Enclosure Type 4X

## ENVIRONMENTAL LIMITATIONS

<b>Operating Temperature</b>	-30 to 122 °F (-35 to 50 °C)
<b>Operating Humidity</b>	0-95 % RH non-condensing

## ELECTRICAL

<b>Input Voltage</b>	24 VDC
<b>Temperature - Output Voltage</b>	0 to 10 VDC

## PERFORMANCE

<b>Temperature Range</b>	40 to 140 °F (4 to 60 °C)
<b>Temperature Accuracy</b>	±0.9 °F @ 70 °F (±0.5 °C @ 21 °C)

## WIRING GUIDELINES

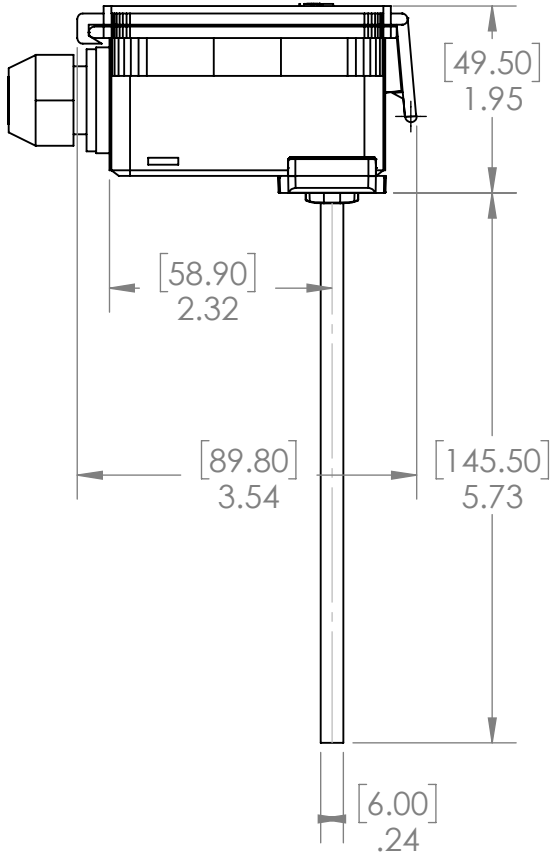
TEMPERATURE	AOU1 (T)	0-10 VDC 40-140°F
GROUND	GND	GND
POWER	UB+	24 VDC

<b>Wire Connection</b>	3 Conductor Stranded
<b>Min Wire Gauge</b>	22 AWG (0.6 mm)
<b>Max Length</b>	200 ft (61 m)
<b>Preferred Color</b>	Red/Black/White

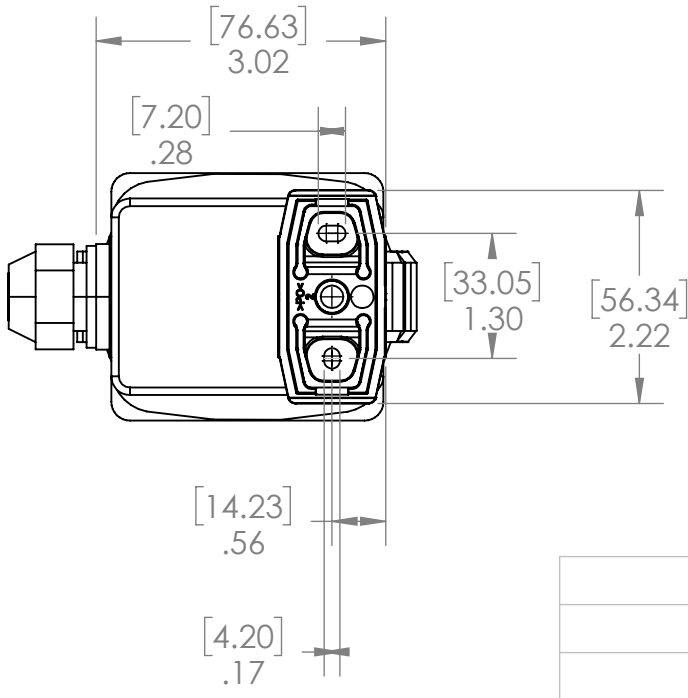
# DUCT SENSOR (TEMPERATURE)

## Dimensions

### Side View



### Top View



Key
[BRACKETS] = MILLIMETERS (mm)
NO BRACKETS = INCHES (in)