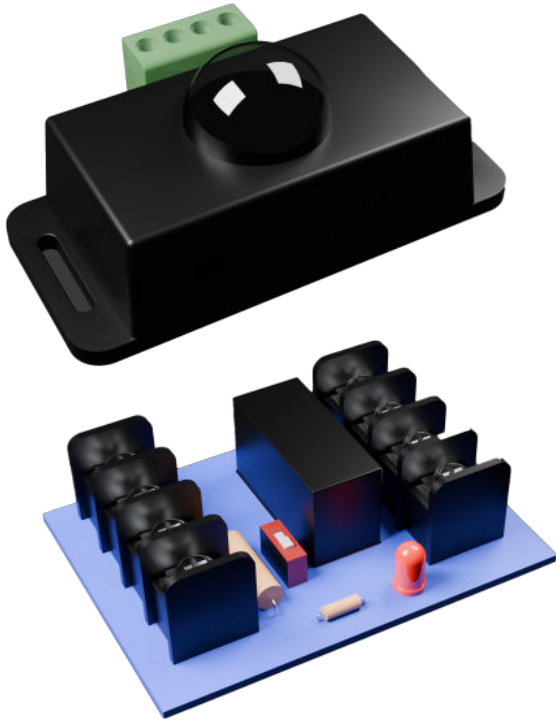


# HOOD OCCUPANCY SENSOR

□ OCC-FH-00-0A3



## ENVIRONMENTAL LIMITATIONS

<b>Sensor Operating Temperature</b>	-4 to 140°F (-20 to 60°C)
<b>Relay Operating Temperature</b>	-13 to 131°F (-25 to 55°C)
<b>Relay Operating Humidity</b>	85% ± 5% RH non-condensing

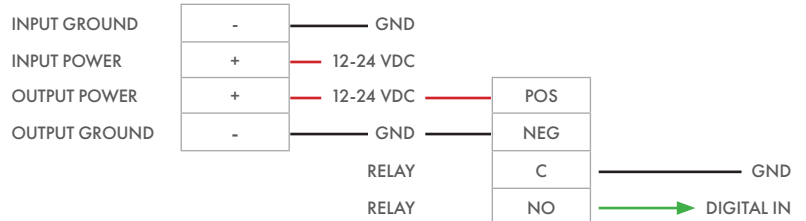
## ELECTRICAL

<b>Sensor Input Voltage</b>	24 VDC
<b>Sensor Output Voltage</b>	24 VDC
<b>Relay Input Voltage</b>	24 VDC
<b>Relay Current Draw</b>	75 mA
<b>Relay Current Rating</b>	5A / 220 VAC or 28 VDC

## PERFORMANCE

<b>Delay Time</b>	1 to 10 minutes
<b>Field of View</b>	60 degrees
<b>Induction Range</b>	16 ft (4.9m)
<b>Max Load Current</b>	6 A

## WIRING GUIDELINES



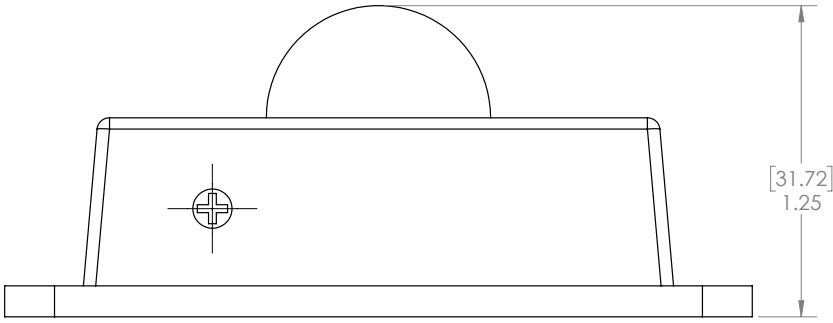
<b>Wire Connection</b>	2 Conductor Stranded
<b>Min Wire Gauge</b>	22 AWG (0.6mm)
<b>Max Length</b>	200ft (61m)
<b>Preferred Color</b>	White/Black

<b>Wire Connection</b>	4 Conductor Stranded
<b>Min Wire Gauge</b>	22 AWG (0.6mm)
<b>Max Length</b>	200ft (61m)
<b>Preferred Color</b>	Red/Black/Green/White

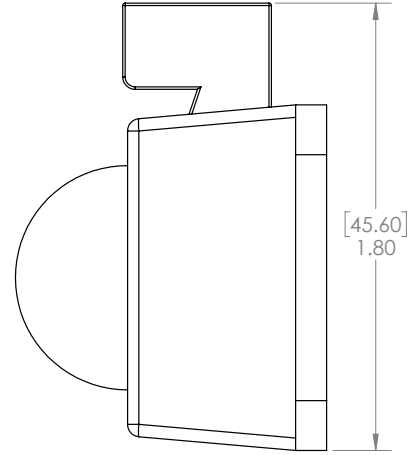
# HOOD OCCUPANCY SENSOR

## Dimensions

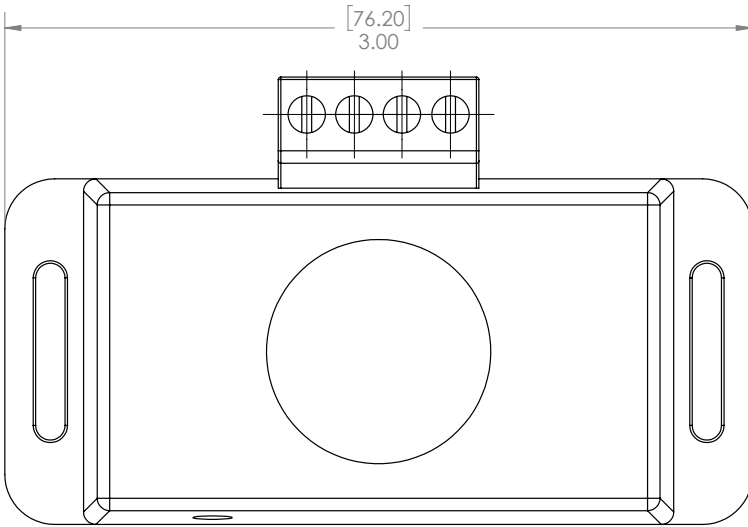
### Front View



### Side View



### Top View



### Key

[BRACKETS] = MILLIMETERS (mm)

NO BRACKETS = INCHES (in)