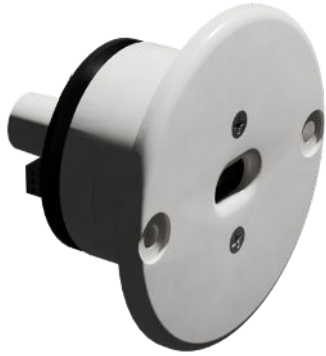


# SIDEWALL VELOCITY SENSOR

□ FHC-SVS



## ENVIRONMENTAL LIMITATIONS

<b>Operating Temperature</b>	14 to 140 °F (-10 to 60 °C)
<b>Storage Temperature</b>	-40 to 176 °F (-40 to 80 °C)
<b>Operating Humidity</b>	0-95 % RH non-condensing
<b>Storage Humidity</b>	0-95 % RH non-condensing

## ELECTRICAL

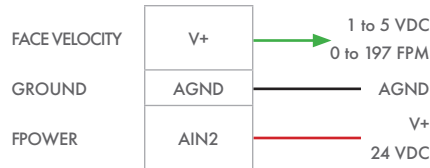
<b>Input Voltage</b>	24 VDC from V+ on FHC
<b>Input Voltage</b>	1 to 5 VDC to AIN2 on FHC
<b>Analog Output (Pressure Signal)</b>	0-5 VDC or 0-10 VDC
<b>Wire</b>	Stranded unshielded twisted pair, 18-24 AWG

## PERFORMANCE

<b>Velocity Range</b>	0 to 197 FPM (0 to 1 m/s)
<b>Accuracy</b>	±5 % of FS
<b>Repeatability</b>	±0.4% Full Scale

## WIRING GUIDELINES

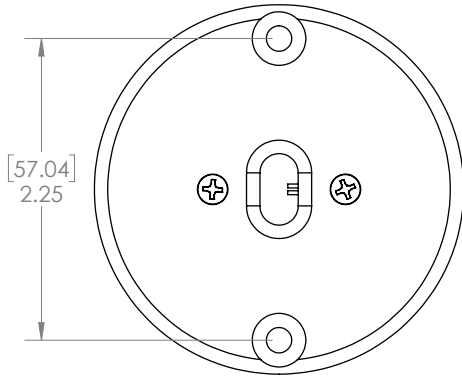
<b>Wire Connection</b>	3 conductor stranded
<b>Min Wire Gauge</b>	22 AWG (0.6 mm)
<b>Max Length</b>	200 ft (61 m)
<b>Preferred Color</b>	Red/Black/White



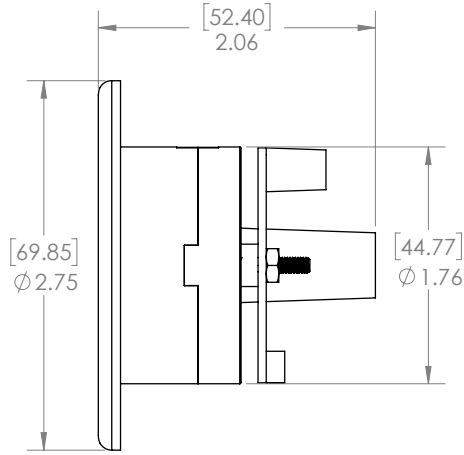
# SIDEWALL VELOCITY SENSOR

## Dimensions

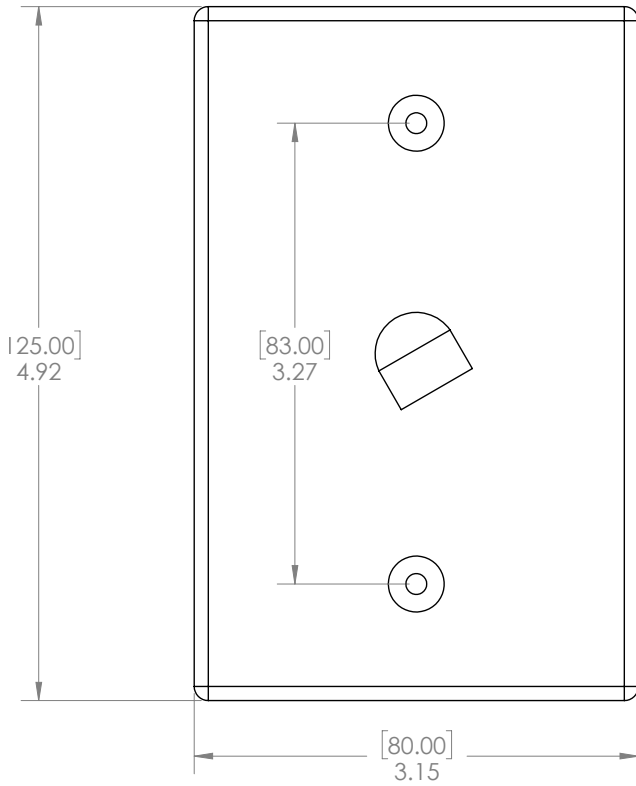
### Pickup Front View



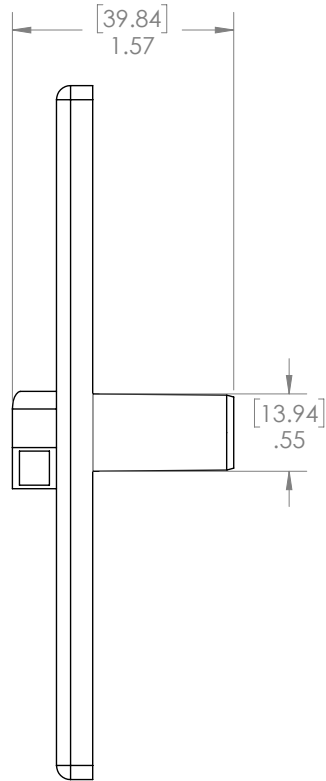
### Pickup Side View



### Face Plate Front View



### Face Plate Side View



Additional information: Refer to installation guide for more installation details.

### Key

[BRACKETS] = MILLIMETERS (mm)

NO BRACKETS = INCHES (in)