

VERTICAL SASH SENSOR

□ FHC-VSS-50



CHARACTERISTICS

Cable Material	Nylon-Coated SS
Enclosure	Polycarbonate (IP51)

ENVIRONMENTAL LIMITATIONS

Operating Temperature	0 to 160 °F (-18 to 71 °C)
Operating Humidity	0 to 95 % RH non-condensing

ELECTRICAL

Input Voltage	10 VDC from 10 V on FHC
Output Voltage	0 to 10 VDC to AIN2 on FHC

PERFORMANCE

Accuracy	0.25 % of FS
Repeatability	0.02 % of FS
Cable Range	50 in (1.27 m)

WIRING GUIDELINES

SASH SIGNAL	GREEN	0 to 10 VDC 0 to 50 in
GROUND	BLACK	AGND
POWER	RED	10 V

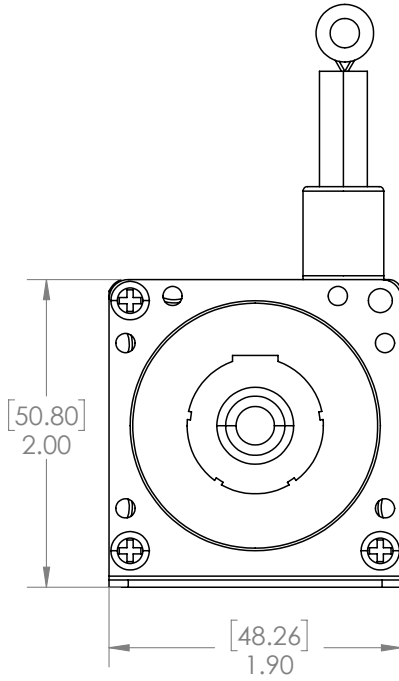
Wire Connection	3 Conductor Stranded
Min Wire Gauge	22 AWG (0.6 mm)
Max Length	200 ft (61 m)
Preferred Color	Red/White/Black

Additional information: Refer to installation guide for more installation details.

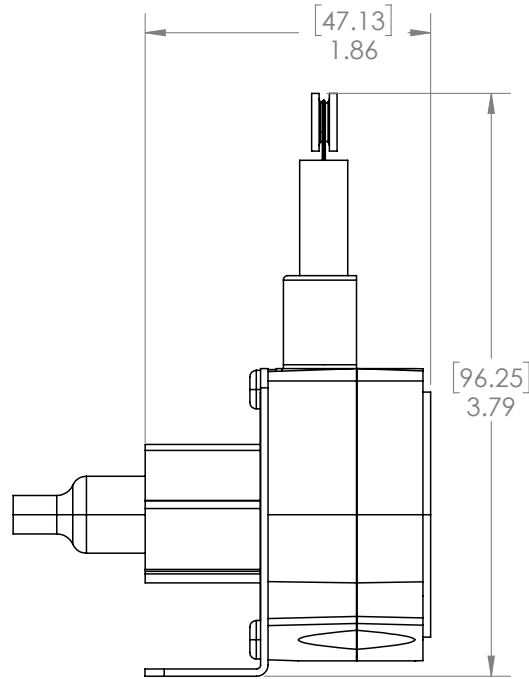
VERTICAL SASH SENSOR

Dimensions

Front View



Side View



Additional information: Refer to installation guide for more installation details.

Key

[BRACKETS] = MILLIMETERS (mm)

NO BRACKETS = INCHES (in)